

Find us on



Magnüs

MULTI-HEAD TEACHING MICROSCOPE

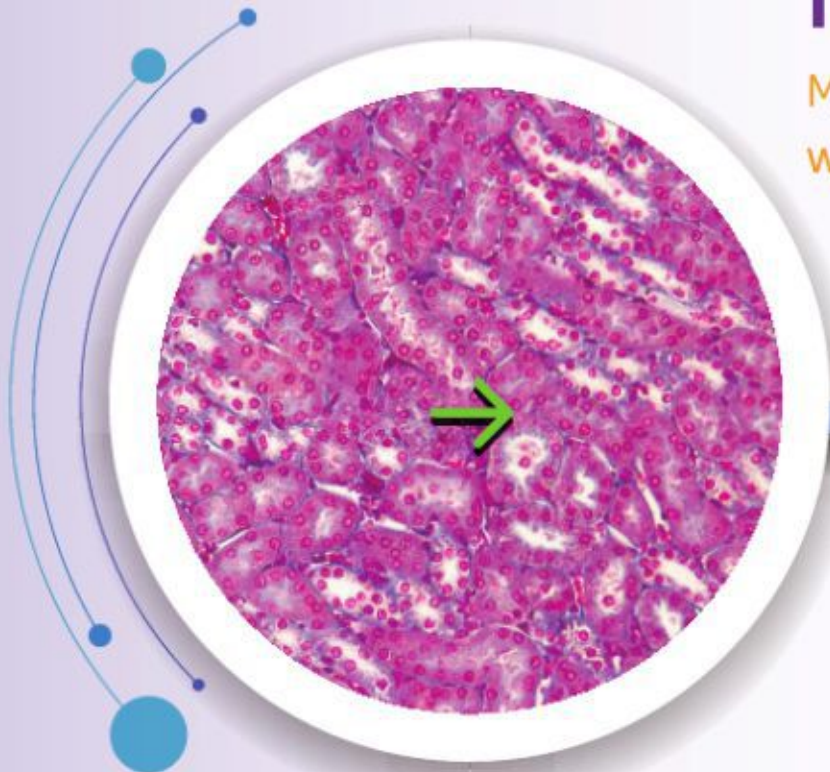
For Medical & Research Education





INTRODUCING

Multi-head teaching microscope
with LED pointer



Applications in
research &
medical education

Live
laboratory
discussions

Dual Head Microscope (for 2 persons)



The movable green light pointer enables the main observer to highlight important specimen area to co-observer. To optimize visibility of the pointer with different stains, the pointer intensity can be adjusted.

The image orientation is identical for all the co-observer. Irritation caused by mirror image or rotated image are totally ruled out.



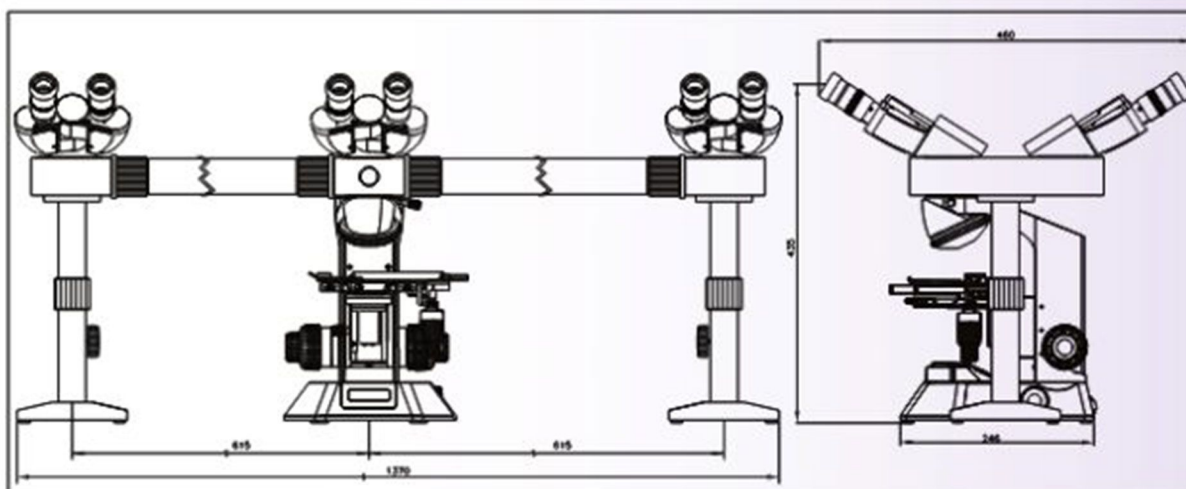
Penta Head Microscope (for 5 persons)





Specifications for Penta / Dual Head Microscope (Theia-i)

	Description	Penta Head	Dual Head	Penta head attachment	Dual head attachment
Optical System	Infinity Corrected Optical System with Anti fungus Treatment, uniformly centered	O	O		
Body	Aluminum die cast body with Critical movement based on ball bearing & wire guide thereby ensuring smooth & Precise movement	O	O		
Viewing Head for Main Observer	Siedentopf design Trinocular Head Inclined at 30°, Interpupillary distance:48-75mm with Diopter setting – 1 No.	O	O	O	O
Viewing Head for Co-observers	Siedentopf design binocular Head Inclined at 30°, Interpupillary distance:48-75mm with Diopter setting – 4 Nos.	O		O	
	Siedentopf design binocular Head Inclined at 30°, Interpupillary distance:48-75mm with Diopter setting – 1 No.		O		O
Penta Head Attachment	Stand for support - Two nos. LED pointer attachment - One no. Connecting fitting - Two nos. The co-observers should get the same orientation of image as that of main observation.	O		O	
Dual Head Attachment	Stand for support - One no. LED pointer attachment - One no. Connecting fitting - One no. The co-observer should get the same orientation of image as that of main observation.		O		O
Eyepiece	WH10X/20 (FN 20) – 5 pairs	O		O	
	WH10X/20 (FN 20) – 2 pairs		O		O
Nosepiece	Inward facing Quadruple Nosepiece with positive click stop	O	O		
Objective	Infinite Parfocal plan Achromat Objectives: 4 x, 10x, 40x (Spring), 100x (Spring, oil)	O	O		
Focus System	Coaxial Coarse and Fine Focusing knobs on both sides.	O	O		
Mechanical Stage	Single layer mechanical stage, area: 125 × 145mm, movement range: 76 × 50mm, double slide holder	O	O		
Illumination	Illumination system, LED 3W (life time : 30,000 working hours)	O	O		
Condenser	Centerable abbe condenser with Iris diaphragm (NA 1.25) focusable with Rack & Pinion	O	O		



Authorised Stockist :

SRI VAISHNAV SCIENTIFIC & LAB EQUIPMENTS

Address: #16-2-749/6 & 6A, Flat no. 105 Sri Tirumala Towers, Revenue Board Colony,
Gaddiannaram, Dilukh Nagar
Hyderabad – 36.

Phone : +91 9346001333 , +91 9676491333

E-mail: sri vaishnavsle@yahoo.com